

IPAQ-CT20

Analog PC-configurable compact transmitter



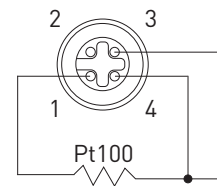
IPAQ CT20 is a compact, analog, non-isolated, 2-wire temperature transmitter for Pt100 3W input with a temperature linear 4-20 mA output signal. The transmitter has integrated M12 connectors for both input and output connections. It comes in a robust, IP67 casing with M12 connections in both ends and offers the highest levels of flexibility and reliability.

- Input: Pt100 in 3-wire connection
- PC configurable measuring ranges without need for calibration
- Temperature linear output
- Very short response time
- Configuration without external power
- Easy-to-use Windows configuration software

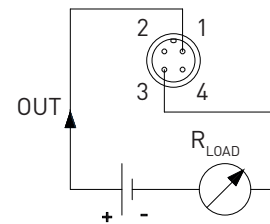
Specifications:

Input	3-wire Pt100 IEC 60751, $\alpha=0.00385$
Sensor current	~ 0.5 mA
Output	Analog, 4-20 mA, temperature linear
Response time (90%)	< 10 ms
Permissible load	750 Ω @ 24 VDC
Measuring range limits	-50...+800°C
Zero limits	-50°C to +50°C
Minimum span	50°C or 20°C
Sensor error compensation	Max. ± 1 % of span (2 points compensation)
Sensor break	Selectable, Upscale (≥ 21.0 mA) or downscale (≤ 3.6 mA) action
Sensor short-circuit	Fixed, downscale (≤ 3.6 mA) action
Ambient temperature	-40 to +85 °C (storage and operation)
Humidity	0 to 100 %RH
Vibrations	Acc. to IEC 60068-2-6, test Fc, 10-2000 Hz, 10g
EMC	Acc. to IEC 61326-1
General data	
Galvanic isolation	No
Power supply	7.5...32.0 VDC, polarity protected
Basic accuracy	Max. of ± 0.2 °C or ± 0.2 % of span
Temperature influence	Max. of ± 0.01 °C per °C or ± 0.01 % of span per °C
Long-term stability	± 0.1 % of span per year
Process connection input	M12x1, 4-pin, A-coded, Female
Process connection output	M12x1, 4-pin, A-coded, Male
Weight	16 g
Protection	IP67

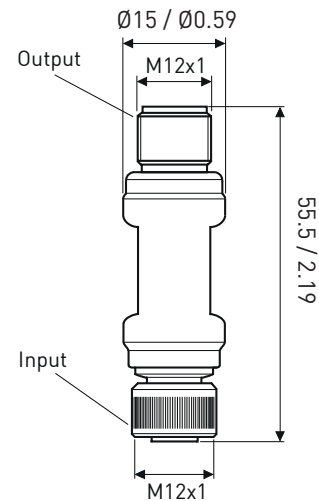
Input connections



Output connections



Dimensions



mm/inches

Ordering information

IPAQ CT20	70CT200010
ICON-X Configuration Kit	70CFGUSX01
M12 adapter cable for USB Interface	4004430401
Output connecting cable with angled M12 connector, length 2 m	4003211501
Output connecting cable with angled M12 connector, length 5 m	4003211502